

Therm-A-Glaze 30

Part of the Dixon
International Group Ltd
www.dig.co.uk

Introduction

THERM-A-GLAZE 30 is a high pressure intumescent strip material which has been developed for glazing applications where a large amount of expansion is beneficial whilst retaining a firm pressure. The degree of expansion is more than 20 fold.

The Product

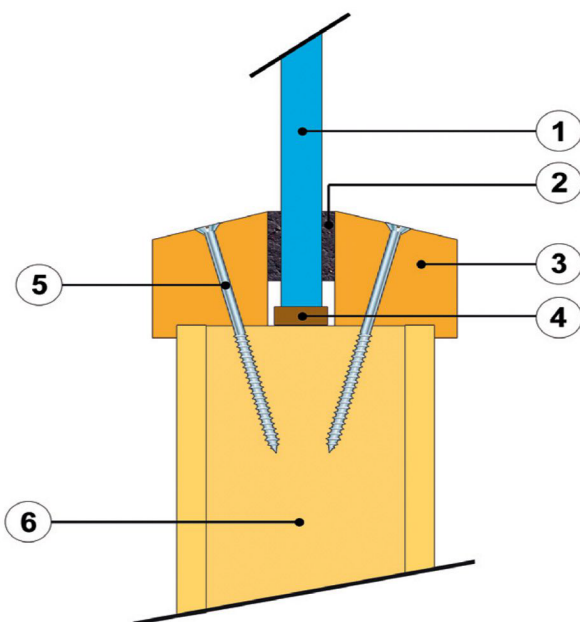
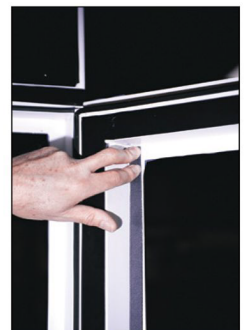
THERM-A-GLAZE 30 has been developed to provide excellent sealing properties combined with the benefit of a flexible strip of intumescent material. It is particularly useful in cases where there is a requirement for generous expansion properties. It expands to fill gaps forming a dense mat of impenetrable intumescent carbon.

Application

THERM-A-GLAZE 30 intumescent strip is supplied at 10mm x 2mm as standard. It is a dry glazing material with a self adhesive backing to allow rapid and easy installation in glazed fire door apertures. The material can be cut with scissors or a sharp knife and so is very easy to fit to glazing beads.

Description

THERM-A-GLAZE 30 is a flexible graphite based intumescent product giving an approximate twenty fold increase in volume when exposed to heat. Its activation temperature is around 200°C. THERM-A-GLAZE 30 is supplied in a dark grey colour as standard and, because of its resistance to both atmospheric moisture and carbon dioxide, requires no additional surface protection. The material may be decorated with a wide range of conventional finishes without impairing the performance.



1. Glass
2. THERM-A-GLAZE 30 (10 x 2mm)
3. Hardwood glazing beads (min. density 650 kg/m³) 23mm wide by 23mm high incorporating a 5 x 5mm bolection return, chamfered by approximately 20°
4. Non-combustible/hardwood setting blocks
5. No.8 Screws, 50mm long at 150mm centres
6. Nominally 44mm thick FD30 door leaf

Therm-A-Glaze 30

Part of the Dixon
International Group Ltd
www.dig.co.uk

Availability

THERM-A-GLAZE 30 is supplied as dark grey.*

Nominal sizes are available in the following dimensions:

10 mm x 2 mm

And in standard lengths of 1050 mm or 2100 mm.

Lengths of up to 3000 mm are available on request.



Test Evidence

THERM-A-GLAZE 30 has been successfully tested as a component of various door sets to meet the fire resistance requirements of BS476:Part 20 & 22. It has also been certified to the more exacting standards required by Certifire. See Intumescent Seals certificate CF 284 on www.warringtonfire.net/certifire/products/glass-and-glazing for details. It is currently being evaluated to the requirements of BS EN 1634-1.

Copies of test reports and assessment evidence are available on request.



Intumescent Fire Seals Association

Related Products

Improved glazing performance may be obtained by combining THERM-A-GLAZE 30 with other intumescent products in certain circumstances. Contact our Technical Department for further information.

Contacting Us

Intumescent Seals
Unit 3
The Old Brewery,
Pampisford,
Cambridge,
CB22 3EW
England.

Tel. (01223) 832758
Fax (01223) 837215
info@intumescentseals.co.uk
www.intumescentseals.co.uk



* Colours may vary slightly between examples illustrated in print, online and actual examples - which will depend upon lighting conditions in situ.